



**EN** Operating instructions. . . . . page 2  
Translation of the original operating instructions

**Destination and use**

The RSS 36 safety sensor can be optionally used on safety guards in combination with the RST-U-8 actuators.  
The operating instructions of the safety sensor is to be considered.  
Deviating or additional instructions for assembly position and switching distances are listed below.

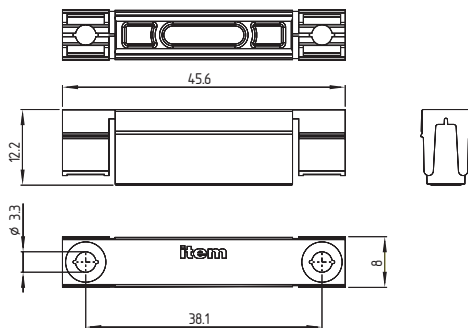
**Mounting**

During fitting, the requirements of EN ISO 14119 must be observed.

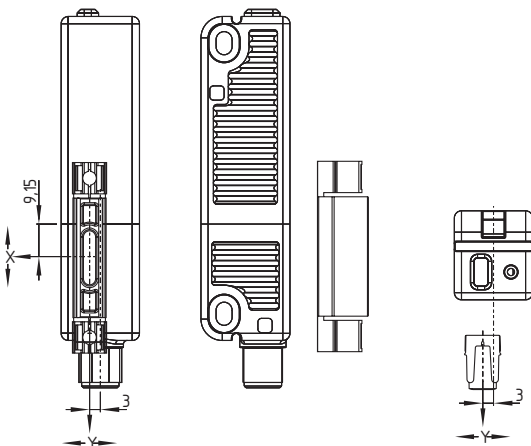
The mounting holes of the RST-U-8 are to be fixed using M3 counter-sunk screws. The active areas of the safety sensor and the actuator have to face each other.

**Dimensions Actuator RST-U-8**

All measurements in mm.



**Assembly position**



**Mounting instructions**

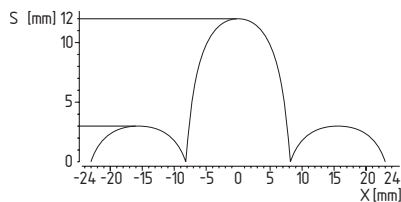
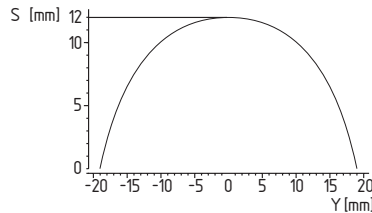
When using the RST-U-8 actuator, the operating instructions of the RSS 36 safety sensor is applicable; in addition to that, the following instructions regarding the assembly position and the switching distances must be observed.

**Switching distances to IEC 60947-5-3:**

Typical switching distance:	12 mm
Assured switching distance $S_{ao}$ :	10 mm
Assured switch-off distance $S_{af}$ :	18 mm

**Actuating curves**

The actuating curves represent the typical switching distance of the safety sensor during the approach of the actuator subject to the actuating direction



The axial misalignment (Y) is max.  $\pm 18$  mm. The height misalignment (X) is max.  $\pm 8$  mm. Avoid area of side lobes if lateral activated.

**Comprehensive quality insurance to 2006/42/EC**

Schmersal is a certified company to appendix X of the Machinery Directive. As a result, Schmersal is entitled to autonomously conduct the conformity assessment procedure for this combination of products listed in Appendix IV of the MD without involving a notified body.

More technical information can be found in the Schmersal online catalog on the Internet at [www.schmersal.net](http://www.schmersal.net).

**K. A. Schmersal GmbH & Co. KG**  
Möddinghofe 30, D - 42279 Wuppertal  
Postfach 24 02 63, D - 42232 Wuppertal

Phone: +49 - (0)2 02 - 64 74 - 0  
Telefax: +49 - (0)2 02 - 64 74 - 1 00  
E-Mail: [info@schmersal.com](mailto:info@schmersal.com)  
Internet: <http://www.schmersal.com>